

# 124-8000

dzr press-fit lever ball valves  
with nylon stem extension



**altecnic**  
Caleffi group

# 124-8000 dzr press-fit lever ball valves with nylon stem extension



## Application

The Altecnic press-fit lever ball valves with press-fit ends are the ideal isolation valve, for use in copper pipe systems.

The valves offer all the benefits of heat free press fit installation, without the requirement for a hot work permit, saving time and money.

The nylon stem extension allows the valve to be completely insulated.

The Leak Before Press feature ensures any un-pressed joints are identified during the system pressure test.

Can be used in domestic, commercial and health care premises on cold and hot water services.

## Design

The valves are full bore and manufactured from DZR materials.

Anti blow out valve stem.

The extension with integral Tee handle is condensation proof with high thermal insulation

Hard chrome plated ball for increased wear resistance.

PTFE body seats for reliable isolation.

Supplied with 3 coloured caps for service identification.

Suitable for use with R250 (half hard) copper tube.

## Construction Details

Component	Material	Grade
Body	DZR copper alloy	BS EN 12165 CW602N
End connection	DZR copper alloy	BS EN 12165 CW602N
Ball seat	PTFE	
Ball	DZR - chrome plated	BS EN 12164 CW602N
Stem	DZR copper alloy	BS EN 12164 CW602N
Stem seal	PTFE	
Stem 'O' ring	HNBR rubber	
Extension & lever	Nylon	Polyamide PA6
Cap	Nylon	Polyamide PA6
Press end 'O' ring	EPDM	

Connection Sizes	Product Code
15 x 15	124-8026
22 x 22	124-8028
28 x 28	124-8029
35 x 35	124-8030
42 x 42	124-8031
54 x 54	124-8032

Altecnic Ltd Mustang Drive, Stafford, Staffordshire ST16 1GW

T: +44 (0)1785 218200 E: sales@altecnic.co.uk

Registered in England No: 2095101

altecnic.co.uk

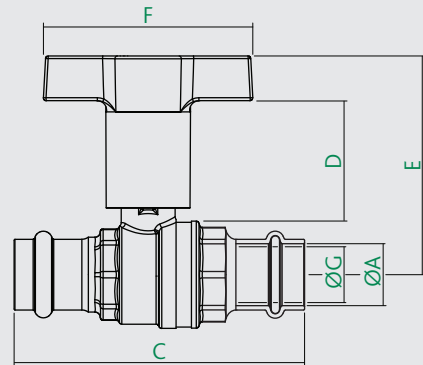
AL 292 13-02-18

E & O.E

© Altecnic Limited. 2018

ALTECNIC™

## Dimensions



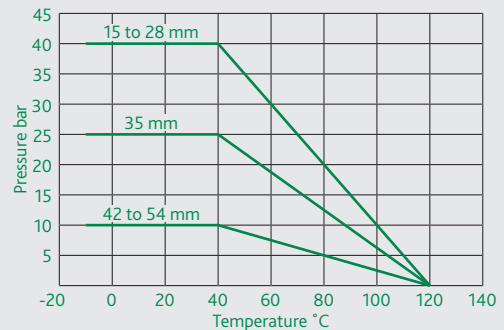
Connection	A	C	D	E	F	G*
15 x 15	15	93.5	38.8	70.2	66.6	15
22 x 22	22	104	43.2	78.3	75	20
28 x 28	28	110.5	43.2	82.6	75	25
35 x 35	35	123.5	63.2	110	120	32
42 x 42	42	158.5	63.2	115.5	120	40
54 x 54	54	179	63.2	123	120	50

\* ØG is the minimum port diameter through the ball and exceeds the full bore diameter circle specified in BS EN 13547.

## Technical Data

In accordance with BS EN 13547  
PED directive classification Group 2 Liquids SEP

## Pressure - Temperature Diagram



## Colour Coded Caps for the Extension

The service can be identified by fitting the appropriate cap, red for hot, blue for cold or green other services.



## Installation

The valves are very simple to install with just two joints to make.

**altecnic**  
Caleffi group